

**REFERENCE :** KI0428

**SIZES :** U

**COMPOSITION :**

Main fabric : Polyester twill PVC backing · 470 100% Polyester

Fabric 2 : Polyester oxford 600D PVC backing As contrast fabric. on bottom part of front aand back panels + bottom panel. 100%polyester

Lining : Polyester 210D PU backing - 75 As inside lining 100% polyester

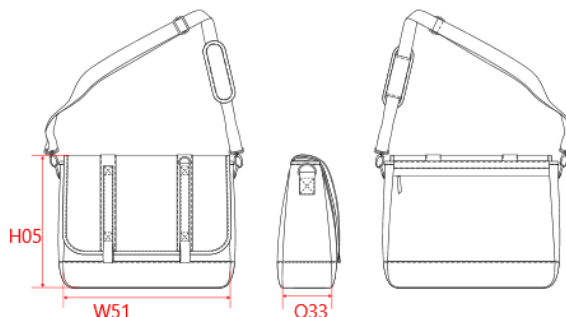
Fabric 1 : Synthetic fabric - Polyester with PU coating For special puller on pocket of back panel. 100%polyester - Polyurethane coating

**TECHNICAL DETAIL :**

PVC backing

**ARTICLE WEIGHT :**

590 gr/pc



DESCRIPTION
<b>Français :</b> Sac messenger
<b>English :</b> Messenger bag
<b>Nederlands :</b> Schoudertas
<b>Deutsch :</b> Messenger Bag
<b>Español :</b> Bolsa mensajero
<b>Italiano :</b> Borsa messenger
<b>Português :</b> Mala fashion

COLORS	PANTONE SERIGRAPHIE
Black / Black	Black / Black
Grey twill / Black	

MEASUREMENT						
Description	U					
<b>H05</b> Hauteur totale / Total height	34					
<b>W51</b> Total width	43					
<b>O33</b> Deep of bottom part	13					

PACKING	
*Carton box details	Pls refer you to "BOXPACK/QUA-004 MANUAL" for: - Carton box details - Dimensions of the boxes